



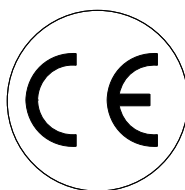
**Manuale d'uso, manutenzione e parti di ricambio** **Parte 2**  
**Use, maintenance and spare parts manual** **Part 2**  
**Gebrauchsanweisung, Instandhaltungsrichtlinien und Ersatzteile** **Teil 2**  
**Manuel d'utilisation, entretien et pièces de rechange** **Partie 2**  
**Manual de uso, mantenimiento y repuestos** **Part 2**  
 Εγχειρίδιο χρήσης, συντηρησης και ανταλλακτικών **2° Μέρος**  
**Manual de utilização, manutenção e partes sobresselentes** **Parte 2**  
**Handleiding voor gebruik, onderhoud en reservedelslste** **Deel 2**  
**Brugsanvisning, vedligeholdelse og reservedelslste** **Del 2**



# 82 P

cod. 1146290

1146290\_82P\_6 280515 IV

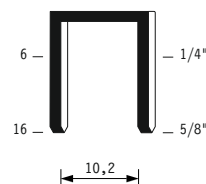


| <b>Dati tecnici</b><br>Technical data<br>Technische daten  | <b>Données techniques</b><br>Datos tècnicos<br>Τεχνικά χαρακτηριστικά  | <b>Dados tècnicos</b><br>Technische gegevens<br>Tecniske data   |
|--|--|---|
| <b>Misure impiegabili mm</b><br>Usable lengths mm<br>Gebrauchliche Längen mm   | Mesures utilisable mm<br>Medidas que se pueden emplear mm<br>Διαστάσεις σε μμ  | Medidas que se podem utilizar mm<br>Te gebruiken engtes in mm<br>Brugbare længder i mm  |
| <b>Capacità caricatore n° punti</b><br>Magazine capacity No. of fasteners<br>Magazinkapazität Nägel  | Capacité chargeur n° de points<br>Capacidad cargador n° puntos<br>Δυνατότητα γεμιστέρα, σπινδότερες  | Capacidade carregador n° pontos<br>Capaciteit magazijn in aantal spijkers<br>Kapacitet af magasin antal klemme  |
| <b>Pressione d'esercizio</b><br>Working pressure<br>Betriebsdruck  | Pression de fonctionnement<br>Presión de trabajo<br>Πίεση λειτουργίας ατμ.   | Pressao de trabalho<br>Werkdruk<br>Arbejds tryk bar   |
| <b>Consumo aria litri/colpo</b><br>Air consumption litres/shot<br>Luftverbrauch Liter/Schlag   | Consommation air litre/coup<br>Consumo aire-litros/golpe<br>Καταναλοση αερα λξτπημα  | Consumo ar litro/golpe<br>Luchtverbruik liter/schot<br>Luftforbrug liter/skud   |
| <b>Peso kg</b><br>Weight kg<br>Gewicht kg  | Poids kg<br>Peso kg<br>Βαρος κγ  | Peso kg<br>Gewicht in kg<br>Vaegt kg  |
| <b>Dimensioni (AxBxH) mm</b><br>Dimensions mm<br>Größe mm  | Dimension mm<br>Dimensiones mm<br>Δυνατότητα γεμιστέρα, σπινδότερες  | Dimencoes mm<br>Afmetingen in mm<br>Dimensioner mm  |
| <b>EN 12549 :1999 ISO 11201 :1995</b>  |  |   |
| <b>Pressione sonora in pos. operatore</b><br>Sound pressure at the workstation<br>Lärmintensität am Arbeitsplatz   | Pression acoustique près de l'opérateur<br>Presión sonora en posición encargado<br>Ακουστική πίεση στη θέση χειριστού  | Intensidade sonora perto do operador<br>Geluidssterkte op de werkplek<br>Lydstyrke på operatorposten  |
| <b>EN 12549 :1999 ISO 3744 :1994</b>   |  |   |
| <b>Potenza sonora emessa</b><br>Emitted sound power<br>Ausgestrahlte Lärmintensität  | Puissance acoustique émise<br>Potencia sonora emitida<br>Ακουστική ισχυ  | Potência sonora emitida<br>Uitgestraalde geluidssterkte<br>Udsendt lydstrykke   |
| <b>EN 28662 :1992 ISO 5349 :1986 ISO 8662 -11</b>  |  |   |
| <b>Valore medio ponderato di vibrazione sull'impugnatura max.33 colpi</b><br>Weighted mean value of vibration on the grip max.33 shots<br>Mittlerer Vibrationswert, am Griff gemessen max.33 Schläge | Valeur moyenne pondérée de vibration mesurée sur la poignée max.33 coups<br>Valor medio ponderado de vibracion medida en la empuñadura max.33 golp<br>Μεσοσ ορος μετρησις κραδασιμων στη χειρολαβη μαξ.33 ξτπημα | Valor medio ponderado de vibracao medida no punho max.33 golpes<br>Gewogen gemiddelde vibratiewaarde max.33 schot<br>Middelvaerdi af vibrationer pa handtaget max.33 skud |

**Tipo di punto**  
Type of fastener  
Befestigungselement  
Type d'agrafe  
Tipo de punto  
Τυπος καρφίτου  
Tipo de ponto  
Type nietjes  
Tilspændingstype

## 82P

1,40x1,85



Gauge: 16

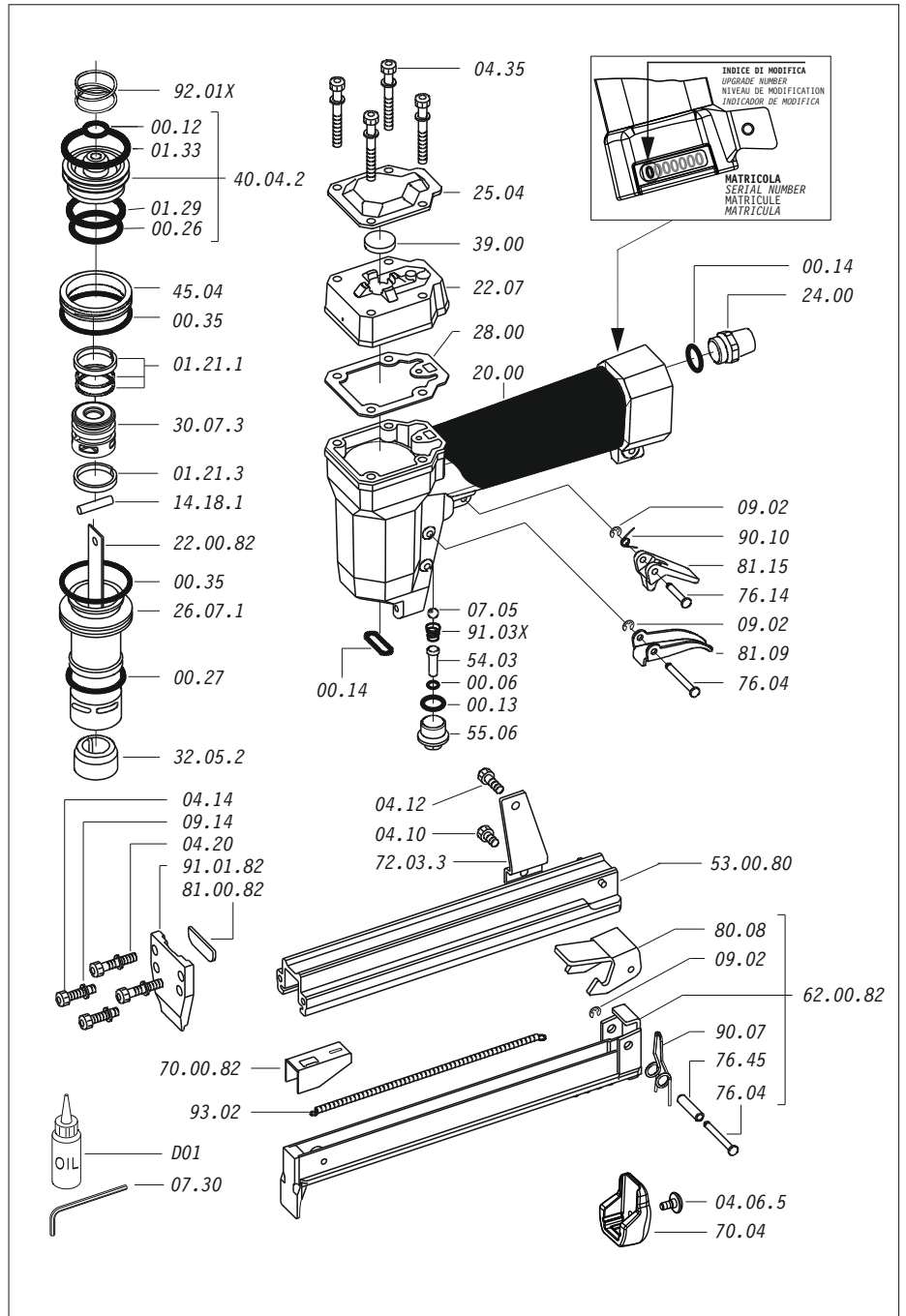
Thickness: 0.055"

Width: 0.073"

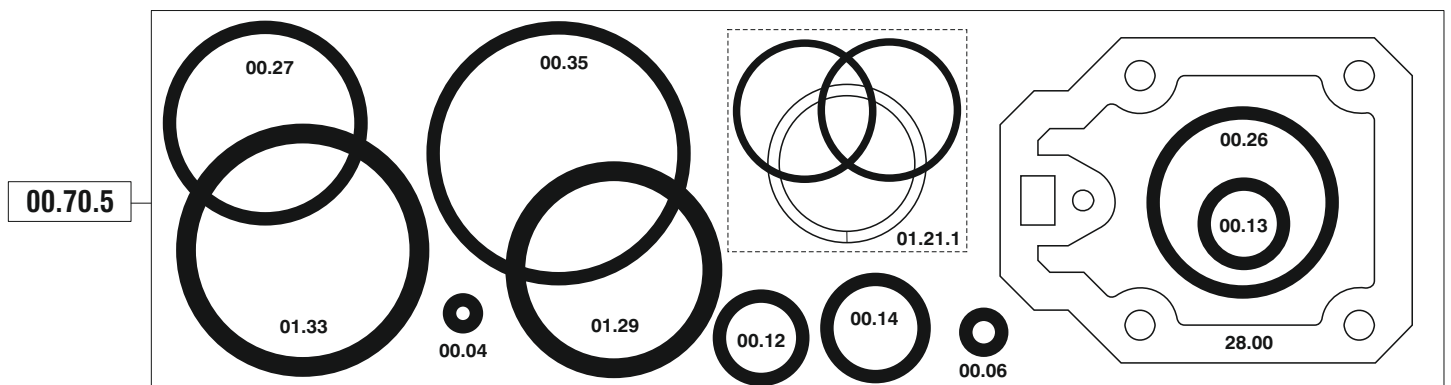
Crown: .512" (1/2")

Parti di ricambio - Spare parts - Ersatzteile - Pièces de rechange - Piezas de repuesto  
 Ανταλλακτικά - Partes sobresselentes - Tabel te raadplegen - Reservedele

| Cod.     | Descrizione         | Description       |
|----------|---------------------|-------------------|
| 00.06    | O-Ring              | O-Ring            |
| 00.12    | O-Ring              | O-Ring            |
| 00.13    | O-Ring              | O-Ring            |
| 00.14    | O-Ring              | O-Ring            |
| 00.26    | O-Ring              | O-Ring            |
| 00.27    | O-Ring              | O-Ring            |
| 00.35    | O-Ring              | O-Ring            |
| 01.21.1  | Guarnizione         | Gasket            |
| 01.21.3  | Guarnizione         | Gasket            |
| 01.29    | O-Ring              | O-Ring            |
| 01.33    | O-Ring              | O-Ring            |
| 04.06.5  | Vite                | Screw             |
| 04.10    | Vite                | Screw             |
| 04.12    | Vite                | Screw             |
| 04.14    | Vite                | Screw             |
| 04.20    | Vite                | Screw             |
| 04.35    | Vite                | Screw             |
| 07.05    | Sfera               | Ball              |
| 07.30    | Chiave esagonale    | Hex. bar wrench   |
| 09.02    | Anello elastico     | Elastic ring      |
| 09.14    | Rondella            | Washer            |
| 14.18.1  | Spina               | Pin               |
| 20.00    | Corpo               | Body              |
| 22.07    | Testa               | Head              |
| 24.00    | Silenziatore        | Silencer          |
| 25.04    | Deflettore          | Exhaust deflector |
| 26.07.1  | Cilindro            | Cylinder          |
| 28.00    | Guarnizione         | Gasket            |
| 30.07.3  | Pistone             | Piston            |
| 32.05.2  | Ammortizzatore      | Bumper            |
| 39.00    | Guarnizione scarico | Exhaust gasket    |
| 40.04.2  | Valvola completa    | Valve ass'y       |
| 45.04    | Anello valvola      | Ring              |
| 54.03    | Pulsante            | Trigger valve     |
| 55.06    | Raccordo            | Bush              |
| 70.04    | Protezione          | Guard             |
| 72.03.3  | Reggicaricatore     | Support           |
| 76.04    | Perno               | Pin               |
| 76.14    | Perno               | Pin               |
| 76.45    | Perno molla         | Pin               |
| 80.08    | Grilletto chiusura  | Trigger           |
| 81.09    | Grilletto comando   | Trigger           |
| 81.15    | Controgrilletto     | Safety            |
| 90.07    | Molla               | Spring            |
| 90.10    | Molla               | Spring            |
| 91.03X   | Molla               | Spring            |
| 92.01X   | Molla               | Spring            |
| 93.02    | Molla               | Spring            |
| 22.00.82 | Battente            | Driver            |
| 53.00.80 | Caricatore          | Magazine          |
| 62.00.82 | Carrello            | Slider            |
| 70.00.82 | Spingipunto         | Pusher            |
| 81.00.82 | Controtestina       | Nose              |
| 91.01.82 | Testina             | Nose plate        |
| D01      | Bocchetta olio      | Oiler             |



Guarnizioni - O-Rings - Dichtungen - Joints - Empaquetadura de anillo - Λαστιχάκια - Kit de o-rings - O-ringen - Pakninger



82 P

cod. 1146290

Indice di modifica  
Upgrade number

6

6019800